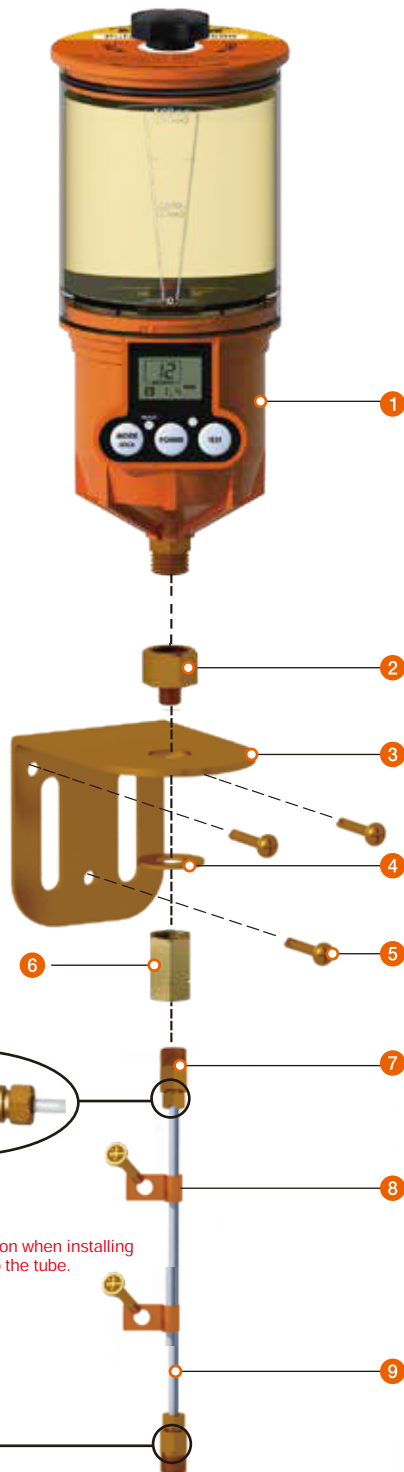


DETAILED PARTS AND ASSEMBLY PROCEDURE



LIST	PART No.	DESCRIPTION	Q'TY
1	OL500	Pulsarlube OL	N/A
2	A002	Reducer, 3/8" F X 1/8" M Adaptor	1
3	B002	Mounting Bracket, "L" Shape	1
4	B057	Washer	1
5	B051	Self Drilling Screw, #8 X 19	5
6	A012	Socket, 1/8" F x 1/8" F Adaptor	1
7	C007	Tube Fitting, Dia. 4mm x PT1/8" M	2
8	C010	Tube Clamp, Dia. 4mm x 1R	2
9	C021-1	Distribution Tubing, O.D. 4mm x I.D. 2.5mm Nylon Tubing, 10ft (3m)	1
10	C011	Insert, Dia. 4mm x 2.5mm	2
11	C009	Sleeve Ring, Dia. 4mm	2

NOTE : Oil brush and bracket assembly is available (sold separately).

ASSEMBLY PROCEDURE

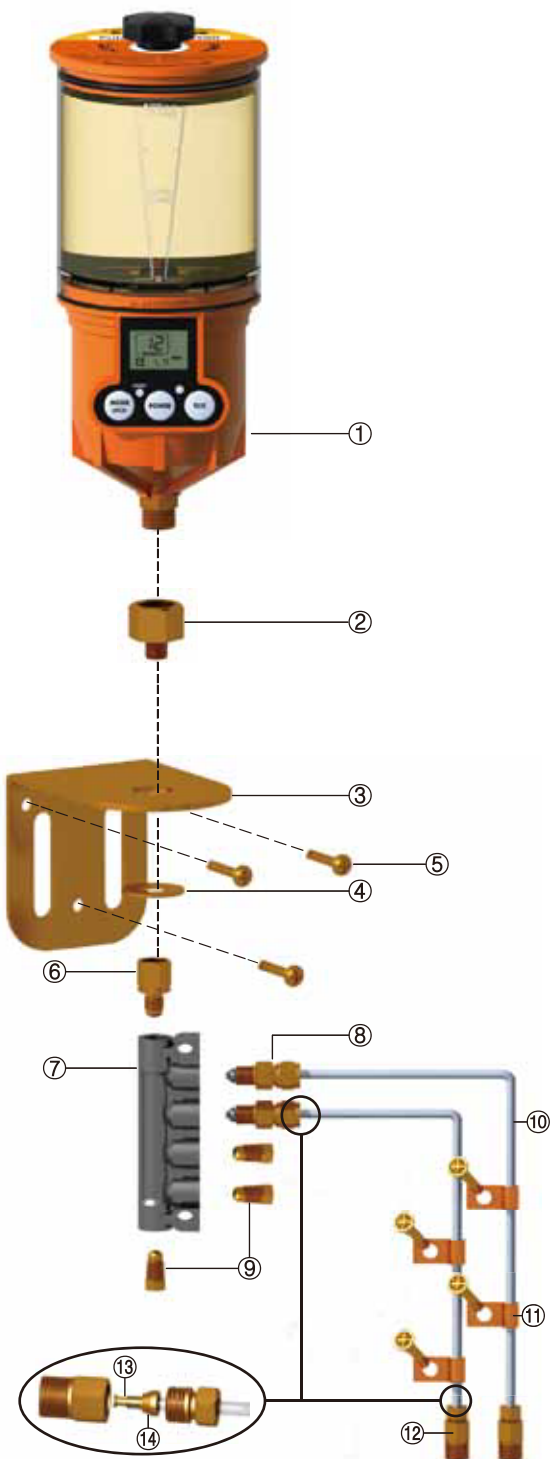
1. Install the mounting bracket (3) at a proper location using screws (5) to allow for easy installation and filling of oil.
2. Install the lubricator using the reducer (2), washer (4), and socket (6).
3. Remove the oil reservoir lid and fill the cartridge with oil to the 500ml level on the label. Turn the hand knob counter clockwise 1~2 turns before closing the lid to open the vent and relieve vacuum pressure.
4. Press the "TEST" button for 2 seconds to run test mode. Confirm that the unit is dispensing oil properly.
5. Assemble the socket (6) and the fitting connector (7).
6. Connect each end of the tubing to the fitting connector (7). Assemble the insert (10) and sleeve ring (11) in order, as shown in the circled image on the left. (If an oil brush and bracket assembly are to be used, connect brush to a fitting connector (7) at the end of lube line using an appropriate socket.)
7. Use the tube clamps (8) and screws (5) to affix the tubing (9) to a wall.
8. Install lubricator and follow lubricator operation instructions on user manual.

COMMENTS

1. Apply PTFE tape on all assembly points to prevent leakage.
2. Please check for compatibility between oil being used and plastic that lubricator is made of.
 - Synthetic Hydrocarbons, PAO : Compatible
 - Silicones (All Types) : Compatible
 - Fluorinated Esters : Compatible
 - Esters & Polyglycols : May cause a problem
3. Output volume may vary depending on oil viscosity, length of lube line, ambient temperature, etc.

Note : All parts above are Metric thread.

DETAILED PARTS AND ASSEMBLY PROCEDURE



LIST	PART No.	DESCRIPTION	Q'TY
①	OL500	Pulsarlube OL500	N/A
②	A002	PT3/8"F x PT1/8"M Adapter	1
③	B002	Mounting Bracket	1
④	B057	Steel Washer	1
⑤	B051	Self Drilling Screws	7
⑥	C006	PT1/8"F x M8 x 1P Reducer	1
⑦	C003	6(4P)M8 x 1P Distributor	1
⑧	C004	#1 Resistance Valve	2
⑨	C005	M8 x 1P Plug	3
⑩	C021-2	Ø4-I.D. 2.5 Nylon Tubing (20ft)	1
⑪	C010	Ø4 x 1R Tube Clamp	4
⑫	C007	Ø4-PT1/8" Fitting Connector	2
⑬	C011	Ø4 x Ø2.5 Insert	4
⑭	C009	Sleeve Ring Ø4	4

Oil brush and brush bracket assembly is available (sold separately).

ASSEMBLY PROCEDURE

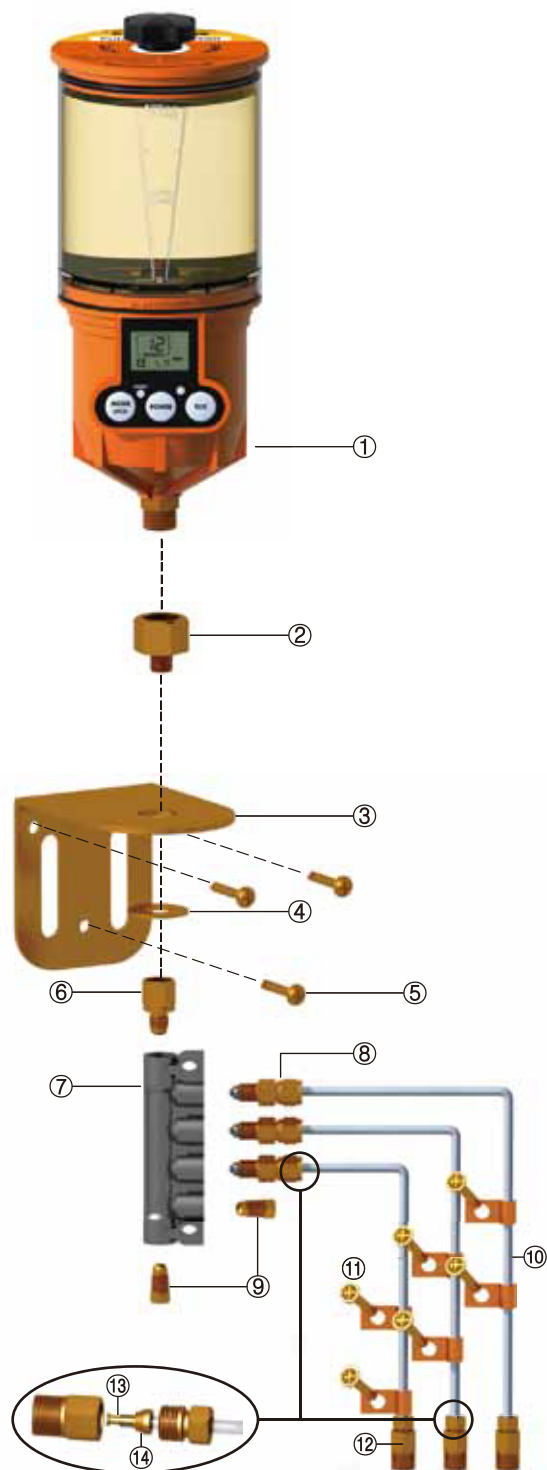
1. Install the mounting bracket (③) at a proper location using screws (⑤) to allow for easy installation and filling of oil.
2. Install the lubricator using the adapter (②), washer (④), and reducer (⑥).
3. Remove the oil reservoir lid and fill the cartridge with oil to the 500cc level on the label. After closing the lid, turn the knob on the lid counter clockwise to open the vent and relieve vacuum pressure.
4. Press the "TEST" button for 2 seconds to run test mode. Confirm that the unit is dispensing oil properly.
5. Assemble the reducer (⑥) and the distributor (⑦). The distributor must be installed near the lubricator.
6. Plug the opposite end and the bottom distributor with the port of plugs (⑨). Tighten firmly to prevent oil leakage.
7. Connect one end of the tubing to the resistance valve (⑧) and the other end of the tubing to the fitting connector (⑫). Assemble the insert (⑬) and sleeve ring (⑭) in order, as shown in the circled image on the left. (If an oil brush and bracket assembly is to be used, connect brush to a fitting connector (⑦) at the end of lube line using an appropriate socket.)
8. Use the tube clamps (⑪) and screws (⑤) to affix the tubing (⑩) to a wall.

COMMENTS

- Apply PTFE tape around the thread on fittings (②) and (⑫) and on the tip of the lubricator. Do not use PTFE tape on parts (⑥), (⑧), or (⑨).
- Output volume may vary depending on oil viscosity, length of lube line, ambient temperature, etc.

Note : All parts above are Metric thread.

DETAILED PARTS AND ASSEMBLY PROCEDURE



LIST	PART No.	DESCRIPTION	Q'TY
①	OL500	Pulsarlube OL500	N/A
②	A002	PT3/8"F x PT1/8"M Adapter	1
③	B002	Mounting Bracket	1
④	B057	Steel Washer	1
⑤	B051	Self Drilling Screws	9
⑥	C006	PT1/8"F x M8 x 1P Reducer	1
⑦	C003	6(4P)M8 x 1P Distributor	1
⑧	C004	#1 Resistance Valve	3
⑨	C005	M8 x 1P Plug	2
⑩	C021-3	Ø4-I.D. 2.5 Nylon Tubing (30ft)	1
⑪	C010	Ø4 x 1R Tube Clamp	6
⑫	C007	Ø4-PT1/8" Fitting Connector	3
⑬	C011	Ø4 x Ø2.5 Insert	6
⑭	C009	Sleeve Ring Ø4	6

Oil brush and brush bracket assembly is available (sold separately).

ASSEMBLY PROCEDURE

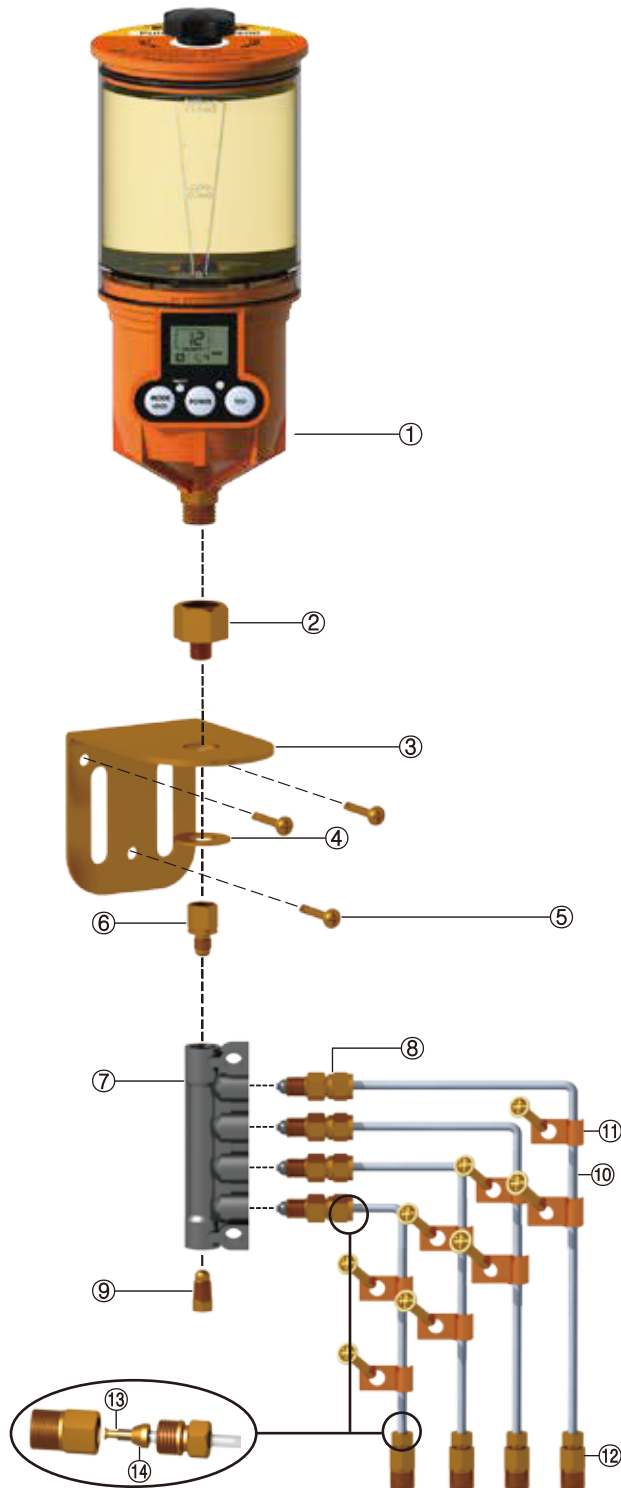
1. Install the mounting bracket (③) at a proper location using screws (⑤) to allow for easy installation and filling of oil.
2. Install the lubricator using the adapter (②), washer (④), and reducer (⑥).
3. Remove the oil reservoir lid and fill the cartridge with oil to the 500cc level on the label. After closing the lid, turn the knob on the lid counter clockwise to open the vent and relieve vacuum pressure.
4. Press the "TEST" button for 2 seconds to run test mode. Confirm that the unit is dispensing oil properly.
5. Assemble the reducer (⑥) and the distributor (⑦). The distributor must be installed near the lubricator.
6. Plug the opposite end and the bottom port of distributor with the plugs (⑨).
7. Connect one end of the tubing to the resistance valve (⑧) and the other end of the tubing to the fitting connector (⑫). Assemble the insert (⑬) and sleeve ring (⑭) in order, as shown in the circled image on the left. (If an oil brush and bracket assembly is to be used, connect brush to a fitting connector (⑦) at the end of lube line using an appropriate socket.)
8. Use the tube clamps (⑪) and screws (⑤) to affix the tubing (⑩) to a wall.

COMMENTS

- Apply PTFE tape around the thread on fittings (②) and (⑫) and on the tip of the lubricator. Do not use PTFE tape on parts (⑥), (⑧), or (⑨).
- Output volume may vary depending on oil viscosity, length of lube line, ambient temperature, etc.

Note : All parts above are Metric thread.

DETAILED PARTS AND ASSEMBLY PROCEDURE



LIST	PART No.	DESCRIPTION	Q'TY
①	OL500	Pulsarlube OL500	N/A
②	A002	PT3/8"F x PT1/8"M Adapter	1
③	B002	Mounting Bracket	1
④	B057	Steel Washer	1
⑤	B051	Self Drilling Screws	11
⑥	C006	PT1/8"F x M8 x 1P Reducer	1
⑦	C003	6(4P)M8 x 1P Distributor	1
⑧	C004	#1 Resistance Valve	4
⑨	C005	M8 x 1P Plug	1
⑩	C021-4	Ø4-I.D. 2.5 Nylon Tubing (40ft)	1
⑪	C010	Ø4 x 1R Tube Clamp	8
⑫	C007	Ø4-PT1/8" Fitting Connector	4
⑬	C011	Ø4 x Ø2.5 Insert	8
⑭	C009	Sleeve Ring Ø4	8

Oil brush and bracket assembly is available (sold separately).

ASSEMBLY PROCEDURE

1. Install the mounting bracket (③) at a proper location using screws (⑤) to allow for easy installation and filling of oil.
2. Install the lubricator using the adapter (②), washer (④), and reducer (⑥).
3. Remove the oil reservoir lid and fill the cartridge with oil to the 500cc level on the label. After closing the lid, turn the knob on the lid counter clockwise to open the vent and relieve vacuum pressure.
4. Press the "TEST" button for 2 seconds to run test mode. Confirm that the unit is dispensing oil properly.
5. Assemble the reducer (⑥) and the distributor (⑦). The distributor must be installed near the lubricator.
6. Plug the opposite end and the bottom distributor with the port of plugs (⑨). Tighten firmly to prevent oil leakage.
7. Connect one end of the tubing to the resistance valve (⑧) and the other end of the tubing to the fitting connector (⑫). Assemble the insert (⑬) and sleeve ring (⑭) in order, as shown in the circled image on the left. (If an oil brush and bracket assembly is to be used, connect brush to a fitting connector (⑫) at the end of lube line using an appropriate socket.)
8. Use the tube clamps (⑪) and screws (⑤) to affix the tubing (⑩) to a wall.

COMMENTS

- Apply PTFE tape around the thread on fittings (②) and (⑫) and on the tip of the lubricator. Do not use PTFE tape on parts (⑥), (⑧), or (⑨).
- Output volume may vary depending on oil viscosity, length of lube line, ambient temperature, etc.

Note : All parts above are Metric thread.